



Tire Rub Kit - Installation Instructions

Part Number 2121000

Cars applicable:

'65-'89 911/912/930/914

Parts list:

Qty	Description
2	Lock Limiting Stop

Introduction –

Tire Rub Kit solves the problem of tires rubbing the inner wheel well at full lock. Though rubbing happens on some cars even with stock tires, the problem is very common with oversize tires/wheels.

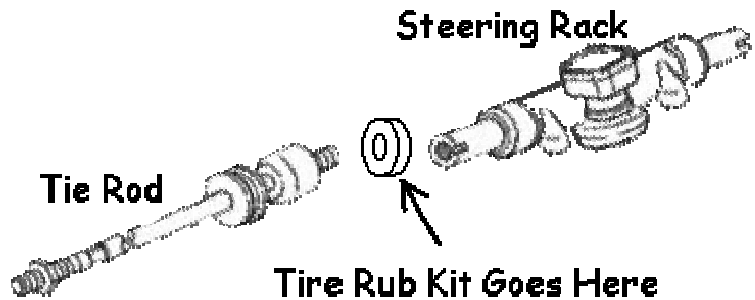
Tires that rub cause an unsafe condition that will fail a tech inspection with many track clubs.

This kit works by adjusting the full-lock position of the steering wheel, allowing you to prevent tires from rubbing.

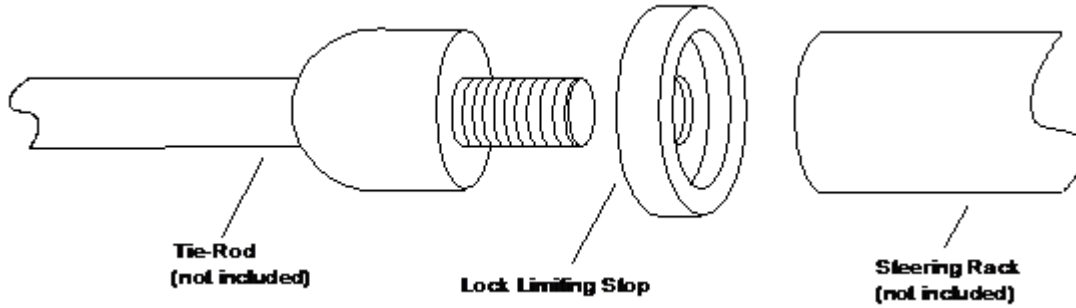
The kit is installed between the steering rack and the tie rods, both sides. Can be used on turbo and regular tie rods. Cars equipped with turbo tie rods must remove the large spacer normally positioned between tie rod and steering rack, the kit is installed in its place.



Tire Rub kit



Location diagram



Step by Step Instructions

1 - Assemble as shown above, both tie rods.

When installing on turbo tie rods, the large factory spacer between steering rack and tie rod must be removed. Do not use the factory spacer and Lock Limiting Stop together.

2 - Toe settings must be adjusted to compensate for the thickness of Stop and Shims. To approximate final tire clearance and pre-install toe, adjust the tie rods per the following:

Turbo Tie Rods	Regular Tie Rods
Lengthen 3.25 rotations	Shorten 1 full rotations (both ends)

3 – Torque tie rods per manufacturer specifications.

4 – Align front suspension