

991 Lower Control Arm Bushing Removal/Installation Tool - Instructions for use.

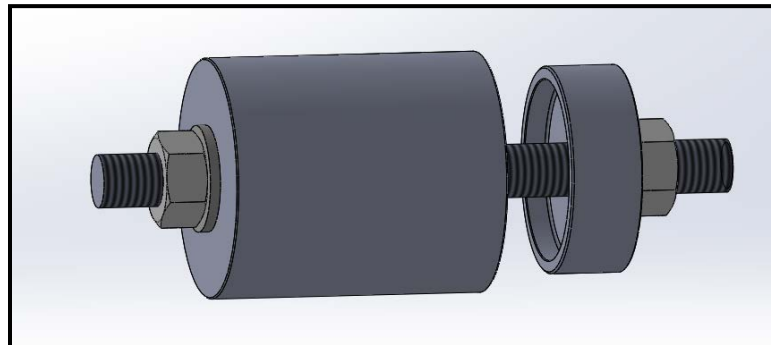
Assembly #: 2260019

Cars applicable:

996 / 997 / 991 / 986 / 987 / 981

Parts list:

Quantity	Description
1	Cup
1	Piston
1	Threaded Rod
2	M14 Standard Hex Nut
2	M14 Standard Flat Washer



Elephant Racing Part No. 2260019 : Bushing Removal Tool Assembly

Tools Required:

- Basic Mechanic's Tool set

Introduction:

We understand that the task of replacing these bushings may be a daunting task. Removing the lower control arm from the wheel carrier, pressing the old bushings out, and pressing the new ones in can be a daunting task. That's why Elephant Racing has devised a set of tools to make removing your old bushings and installing your new inserts as easy as possible; no removal of the lower control arm required.

Step-by-Step Instructions:

Bushing Removal

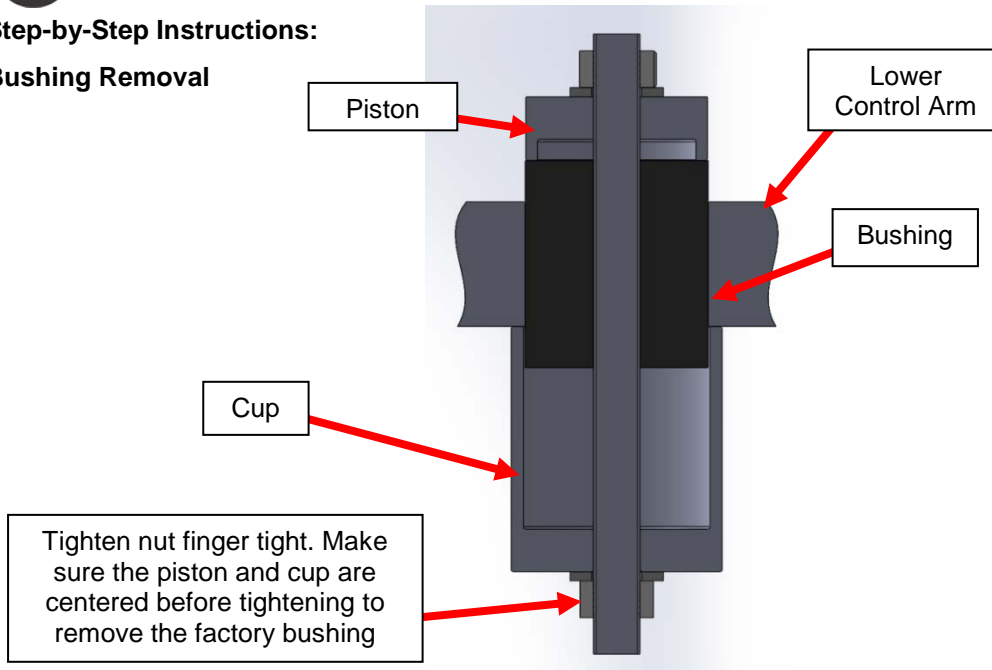


Figure 1: Removal Tool and Bushing / Upright Assembly

1 – Safely raise and secure the vehicle, then remove the wheels.

2 – Detach the castor arm from the lower control arm. Refer to an appropriate shop manual for more detailed instructions.

3 – Position the parts and tools as shown in Figure 1. Using two wrenches, tighten the nuts to draw the bushing into the removal cup.

Bushing Installation

1 – Slide the threaded rod through the piston, bushing, and removal cup. Install the nuts and washers on either side of the assembly and tighten finger tight.

2 – Use two wrenches to tighten the nuts. Ensure the bushing is concentric as it is drawn into the control arm. Continue tightening the nut until the bushing is positioned appropriately in the wheel upright. See Figure 1 for a depiction of an installed bushing.